

OIL LEVEL GAUGE - PU

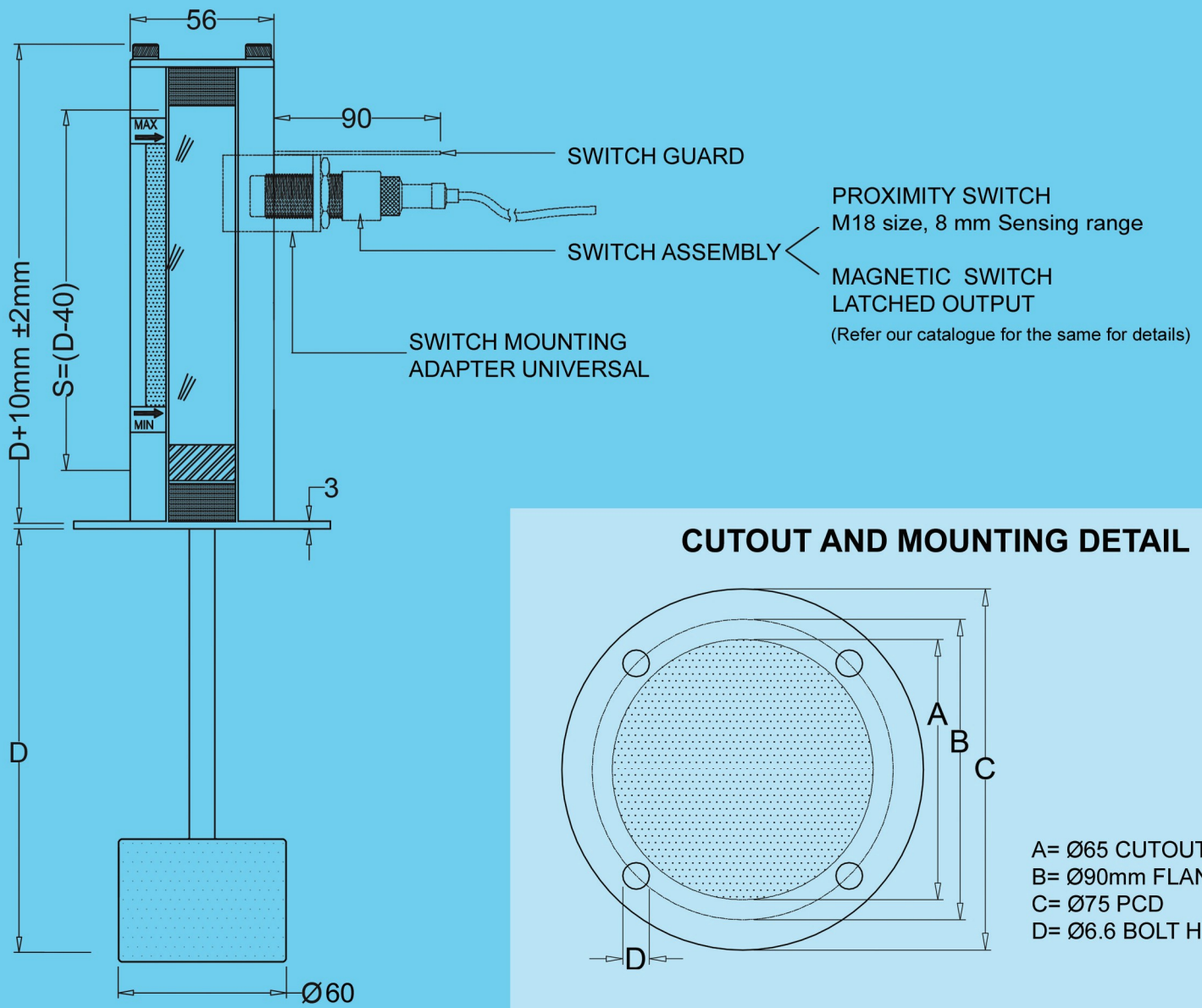
.....for OEMs



Tank top mounting type Oil Level Gauge is used to indicate and control liquid level of oil in machine tool industry, specially designed for hydraulic oil and coolant tanks.

Oil Level Gauge incorporates PU Float, Aluminium Profile structure and acrylic transparent tube. Magnet carrying piston is connected to float through indicating rod, which moves within acrylic tube thereby indicating the liquid level in the tank.

Piston can actuate either Magnetic Reed based Sensor Switch (order separately) or standard M18, 8 mm sensing range inductive Proximity Switch. For both type sensor switches order level gauges with Switch Mounting Adapters.



NOTE:
 Min, Max, Green Band Stickers are Supplied Loose. To be fixed at site.
 For selection of Switch Assembly refer Magnetic Proximity switch Catalogue.

ORDERING INFORMATION

OLG-6 / D _____ / W _____ / A _____ /

Oil Level Gauge
Ø 60mm PU Float

Distance between flange bottom to float bottom with no liquid present in the tank (mm) (max **600** mm)
 For above 600 mm tank depth consult factory

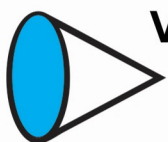
1. No. of M18 Switch Adapters
 2.

* applicable only for selection A or G in / W.../field

O: without Adapters
A: with Adapters
G: with Adapters & Switch Guard

since continuous development is our policy, the above specification and details may change without prior notice

CT-002/OLG6/01-19/R 01



VIDYUTH ENTERPRISES

#387/41, Bikasipura Main Road, Yelachenahalli,
 (Near Delhi Public School) Bangalore - 560062.
 Ph : 080-26860013 / 0014 / 1056 - Mob : 9886715952
 email : info@vidyuth.co.in - manufacture@vidyuth.co.in
 web : www.vidyuth.co.in

